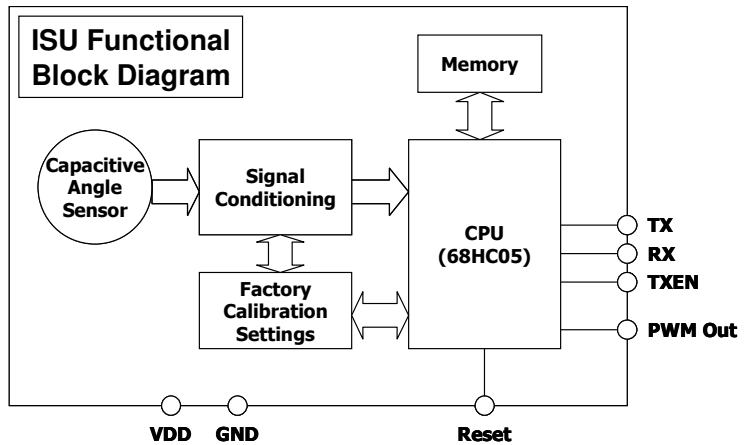


Features

- ❑ Full 360 degree range
- ❑ Three versions with maximum accuracy of $\pm 0.05^\circ$ and maximum resolution of 0.00549°
- ❑ Operating temperature range of -30°C to $+55^\circ\text{C}$
- ❑ Low temperature coefficient
- ❑ Superior stability compared to low-g accelerometer solutions.



General Description

The *ISU* series of Single-Axis Digital Inclinometers from *STT* are self-contained, ready-to-use circuit modules which provide real-time digital measurements of angular displacement through a full 360 degree range. The ruggedized, non-contact capacitive sensor is combined with precision measurement circuitry to provide a cost-effective combination of accuracy, range, and operating temperature in an easy to use footprint. The units can be used in a wide



variety of applications, accept a standard 5 Volt DC supply, and provide both RS-232 and Pulse Width Modulated (PWM) outputs.

The ISU is a compact, conformal coated circuit board module which is available in three different accuracy ranges. All of the modules feature a wide operating temperature range of -30 to $+55^\circ\text{C}$ and a storage temperature range of -55 to $+65^\circ\text{C}$.

Programmable options include power auto-shutoff and 4-bit addressability allowing multiple ISUs to be 'party-lined' together for applications requiring multiple sensors.

Additional information about interfacing to the ISU inclinometer module is available in Application Note *AN-201: Interfacing to an ISU Digital Inclinometer Module*, available on the web or from *STT* upon request.

Electrical Specifications

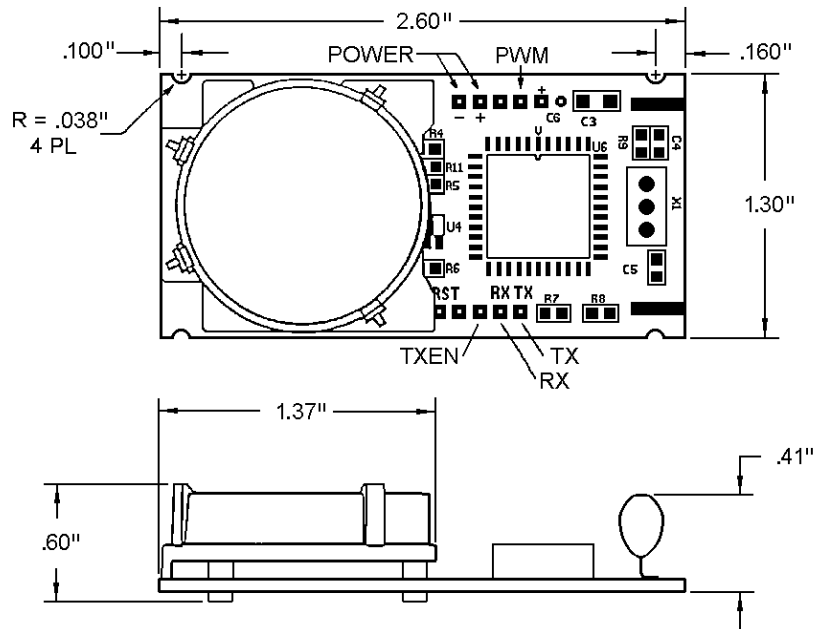
Parameter	ISU-S (Std. Accuracy)	ISU-H (High Accuracy)	ISU-L (Low Accuracy)
Range	Full 360°		
Accuracy			
0° +/-10°	+/- 0.1°	+/- 0.05°	+/- 0.2°
90° +/-10°	+/- 0.1°	+/- 0.05°	+/- 0.2°
Other angles	+/- 0.2°	+/- 0.2°	+/- 0.4°
Resolution			
RS-232 Output	0.00549° Binary, 0.01° ASCII		
PWM Output	0.09°		
Temperature Coefficient			
At 0° or 90° +/-1°	0.006° per °C		
Other angles	0.012° per °C		
Repeatability	+/- 0.1°	+/- 0.05°	+/- 0.2°
Hysteresis²	0.1°	0.10°	0.2°
Noise	+/- 0.02°	+/- 0.01°	+/- 0.04°
Time Constant	0.4 seconds, typical		
Frequency response	0.4 Hz, typical (-3dB)		
Angle output Rate	Every 8/15 second (533 msec)		
Power Input			
Voltage	5.0 Volts, DC		
Current, Operating	2 mA		
Current, Sleeping	10 µA		
Serial Port			
Protocol	RS-232 (except for voltage levels)		
Voltage	5 Volts		
Baud Rate	9600 baud		
Output Impedance	10KΩ		
PWM Output			
Voltage	5 Volts		
Frequency	30 Hz, free running		
Pulse Width	Varies 49.4µsec per degree		

Notes:

- 1) Specifications subject to change without notice. Specifications are at 77°F (25°C) unless otherwise stated.
- 2) Average over 360 degrees

Physical Specifications

Parameter	
Weight	0.8 oz (23 gm)
Temperature Range	
Operating	-22 to +131°F (-30 to +55°C)
Storage	-67 to +149°F (-55 to +65°C)
Humidity Sensitivity	Conformal Coated



Ordering Information

Description	Model #	Order Part Number
Standard Accuracy Version	ISU-S	90104001
High Accuracy Version	ISU-H	90104020
Low Accuracy	ISU-L	90104019

Please contact us below for pricing and availability.

SmartTool Technology, Inc.
 3831 North Santa Fe
 Oklahoma City, Oklahoma 73118
 (800) 762-7853
www.smarttooltech.com